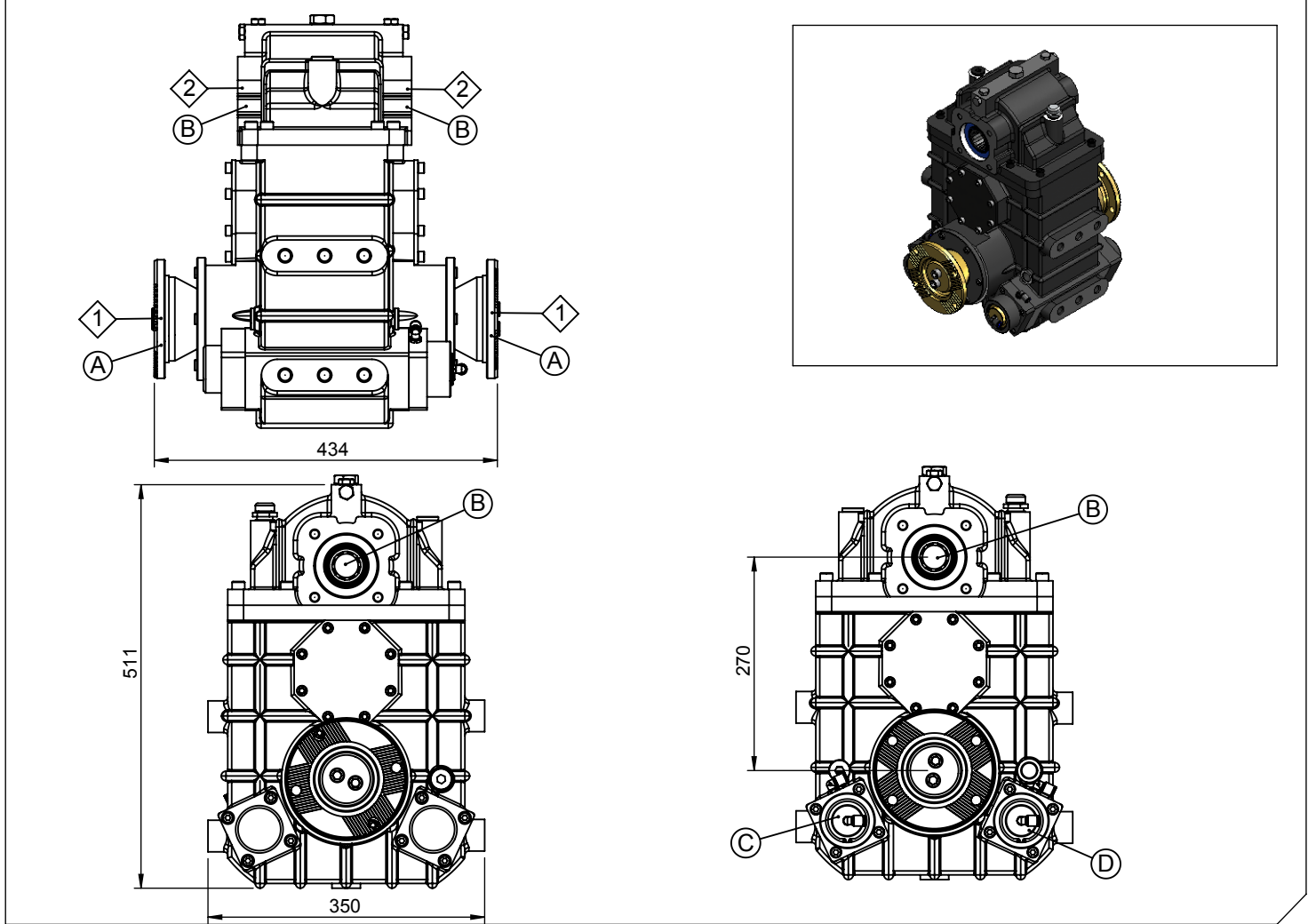


Vehicle Type	FOR FIRE FIGHTING VEHICLES - FOR ROAD SERVICE VEHICLES
Gearbox Type	PUMP&ROLL FEATURED VERTICAL MEDIUM DUTY SPLIT SHAFT PTO

Product Code
UARA.801



Products View



Options

A : DIN 150 (Cross Hatch)-DIN 180 (Cross Hatch)-DIN 180
 B : DIN 100 (6 Holes) - DIN 120 (4 Holes) - ISO DIN 5462 - UNI DIN 5463
 C : Air Inlet (Engage)
 D : Air Inlet (Disengage)

Technical Data

Outputs	Power (Kw)	Maximum Torque		Internal Ratio	Mounting Side	Control Type
		Nm	Kgm			
1		7848	800	1/1	Split Shaft	PNEUMATIC
2	135			1/1.84 1/2.25	Weight (Kg)	Rotation Sense
3					128	COUNTERCLOCKWISE(CCW)



**KOZANOĞLU
KOZMAKSAN**

HYDRAULIC PUMPS & POWER TAKE-OFFS MANUFACTURING LIMITED CO.
 HİDROLİK POMPA ve ARA ŞANZİMAN PTO İMALAT SAN.LTD.ŞTİ.

Ofis / Office
 Tel. +90 312 354 05 39
 Fax +90 312 354 34 59
 7. Sokak No: 9
 Ostim / ANKARA
 e-mail: info@kozmaksan.com.tr

Fabrika / Factory
 Tel. +90 312 267 39 71
 Fax +90 312 267 38 72
 AOS. 1. OSB. Erkunt Cad. No: 6
 Sincan / ANKARA
 Website: www.kozmaksan.net