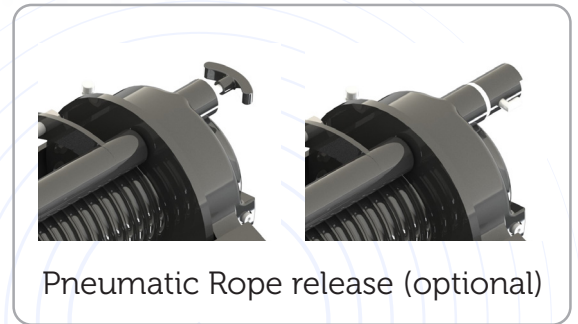
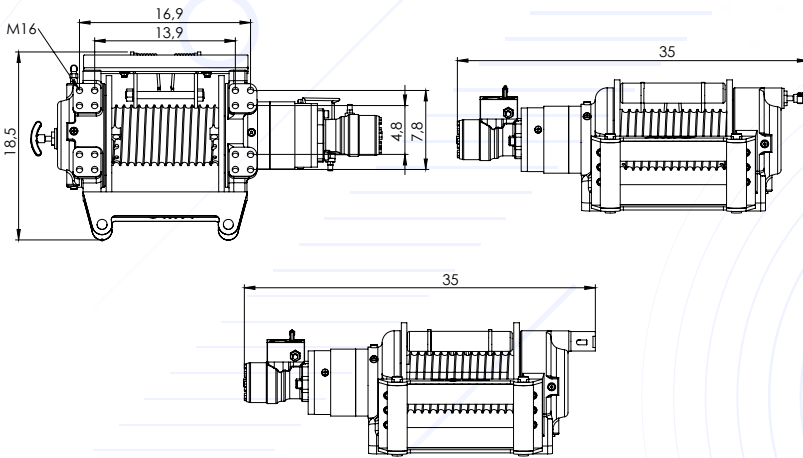
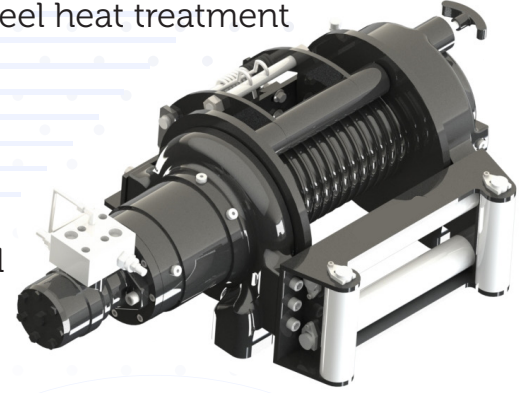


- ▶ High-strength, long-lasting steel body
- ▶ Extra reinforced planetary gear system with special steel heat treatment
- ▶ Lightweight and powerful design
- ▶ 100% negative effective hydraulic disc brake system
- ▶ Standard winch guide system and rope stabiliser
- ▶ Manual winch discharge system provided as standard
- ▶ High torque hydromotor



Rope Winding Count	Pulling Capacity lbs	Winding Speed m-min/(ft-min)	Rope Length m/ft
1	22000	7,8/25	5,9/19
2	18346	8,7/28	13,3/43
3	15628	9,6/31	22,1/72
4	13611	10,5/34	32,3/105
5	12054	11,4/37	43/141

Maximum Pulling Force (kg/lbs)	: 22000 lbs
Maximum Rope Diameter (mm/in)	: 16mm (7/11")
Maximum Rope Length (m/ft)	: 43 m (141 ft)
Hydromotor (cc/in ³)	: 160 cc (10 in ³)
Maximum Pump Flow (L/min-gal min)	: 60L (15.8 gal)
Gear Ratio	: 21/1
Maximum Operating Pressure (bar/psi)	: 168 bar (2346 psi)
Recommended Gear Oil Product	: 80 w 90 - 1 L
Weight	: 150 kg (330 lbs)